
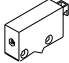


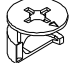
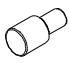

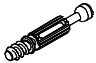

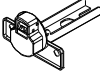
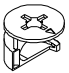
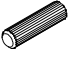




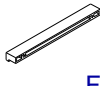
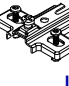


I

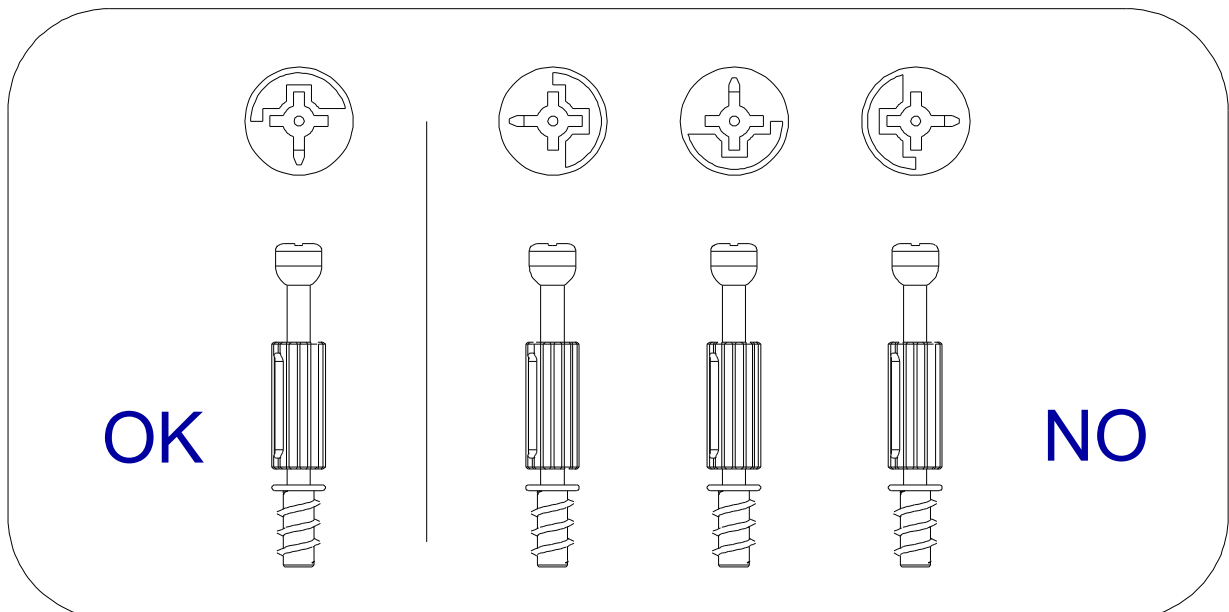
		4x30 					
R	G	H1	D	B	S3	S	A
x1	x2	x4	x4	x2	x8	x4	x4

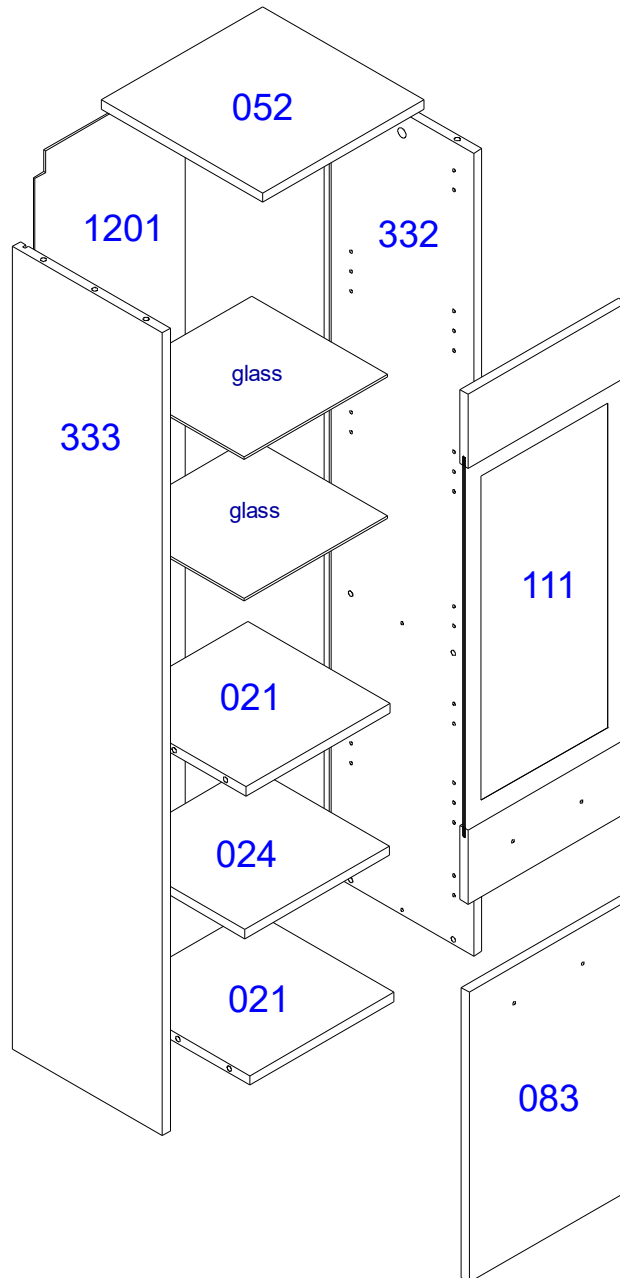
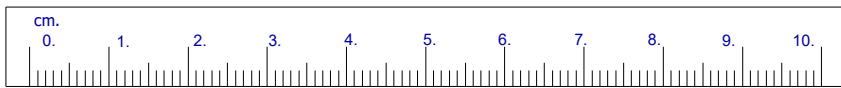
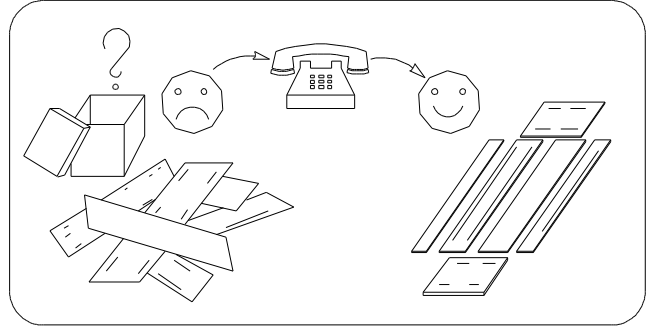
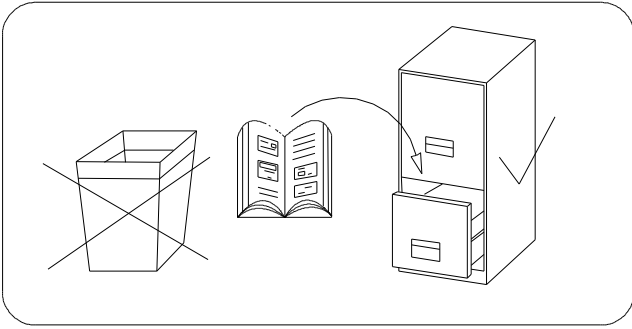
II-VIII

6,3x13 				
F2	Z	B	D	A
x8	x4	x4	x8	x2



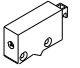
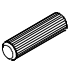
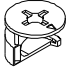
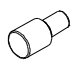


IX-XIII

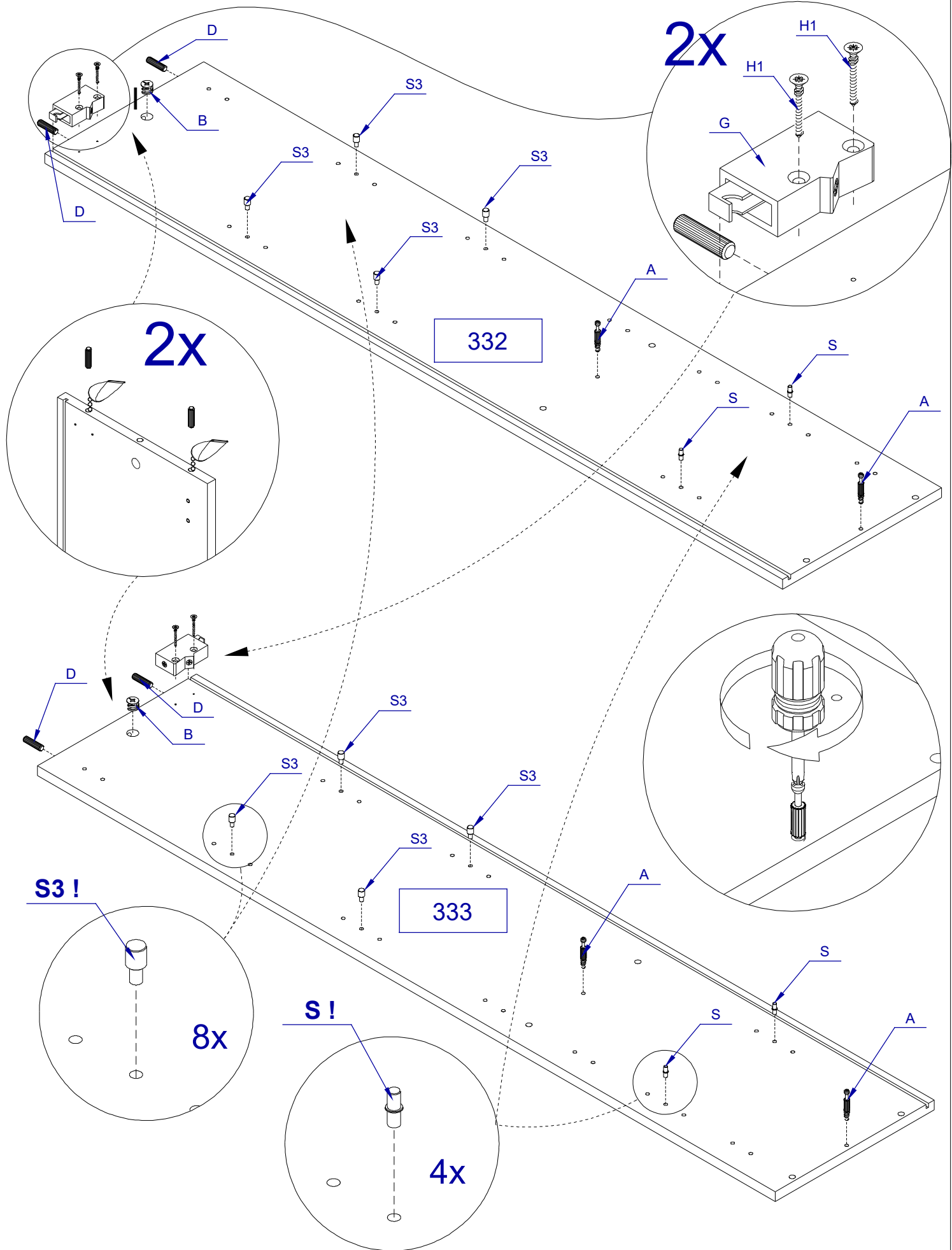
4x27 				Ø10x50 
H5	F	L	I	KR
4x	2x	x4	x6	x2



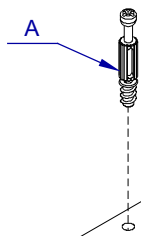


I

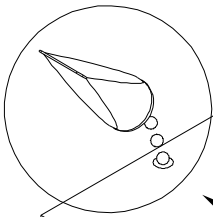
							
R	H1	G	D	B	S3	S	A
x1	x4	x2	x4	x2	x8	x4	x4



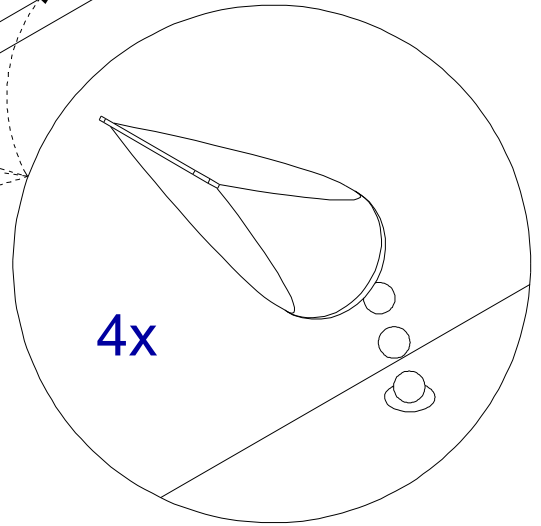
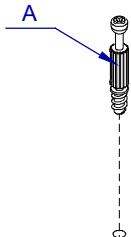
II



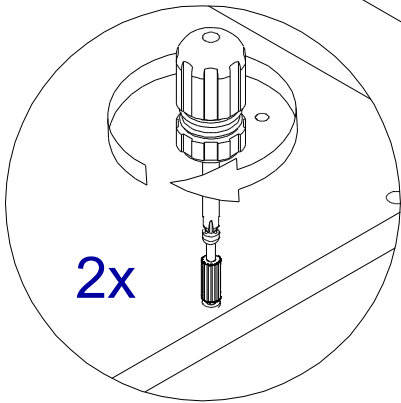
x2
A



052



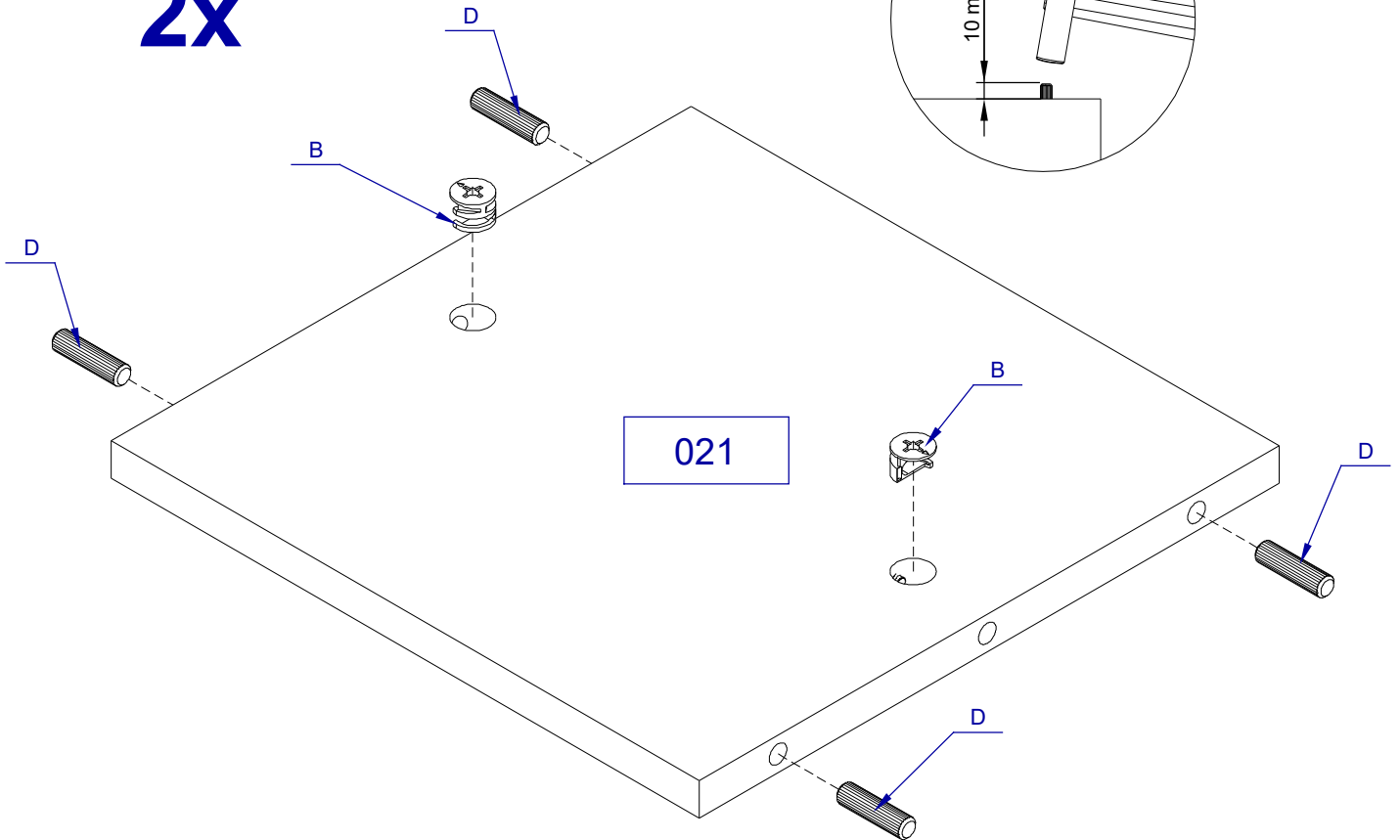
4x



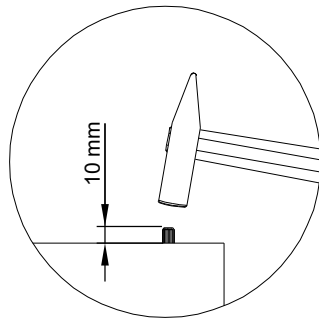
2x

III

2x



021



x4
B



x8
D

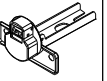
IV

6,3x13



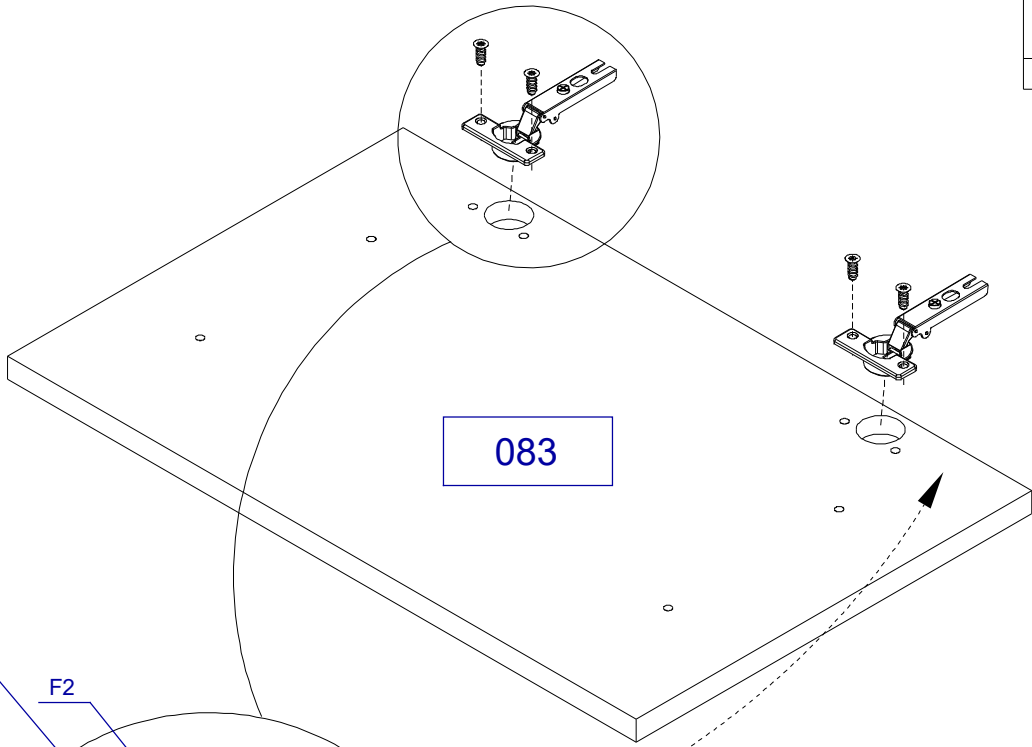
F2

x4



Z

x2



083

F2

F2

Z

4x

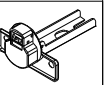
V

6,3x13



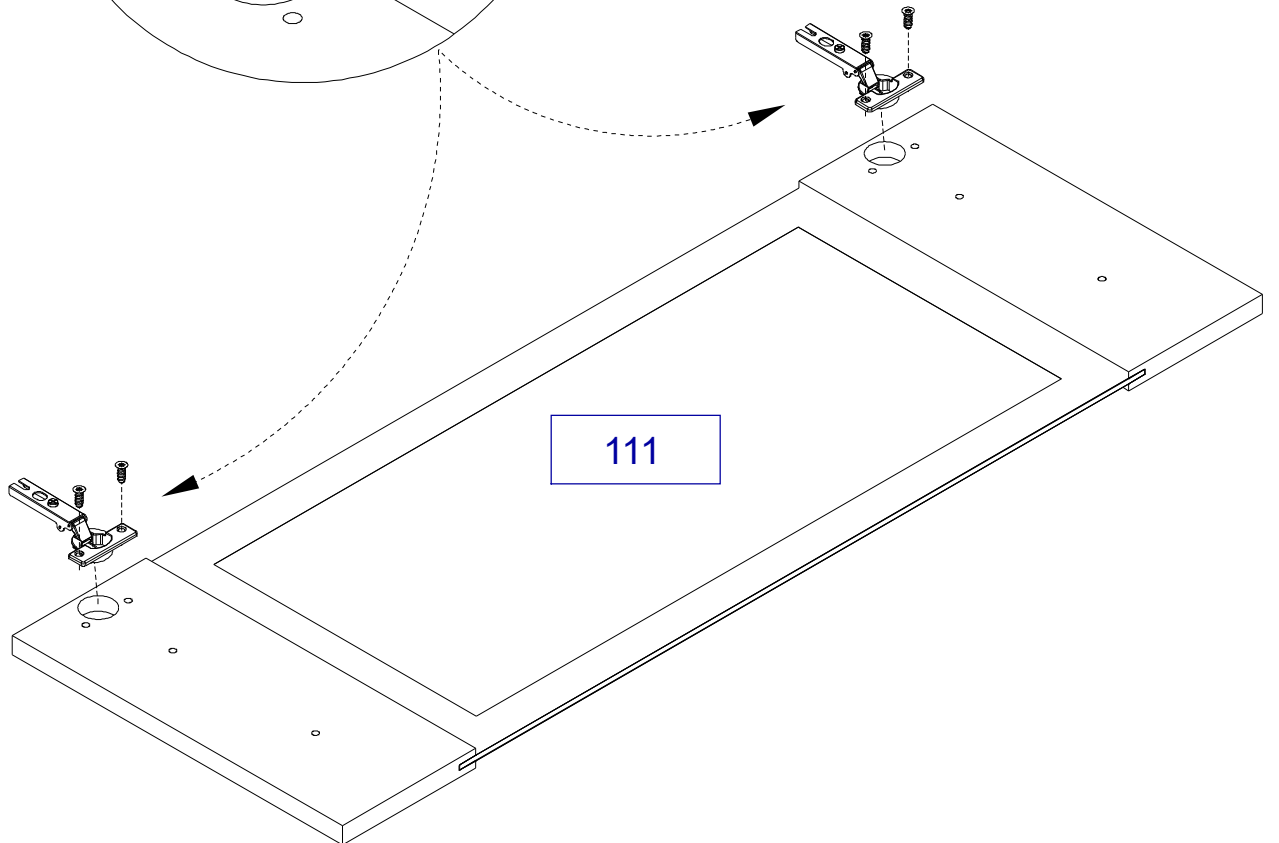
F2

x4



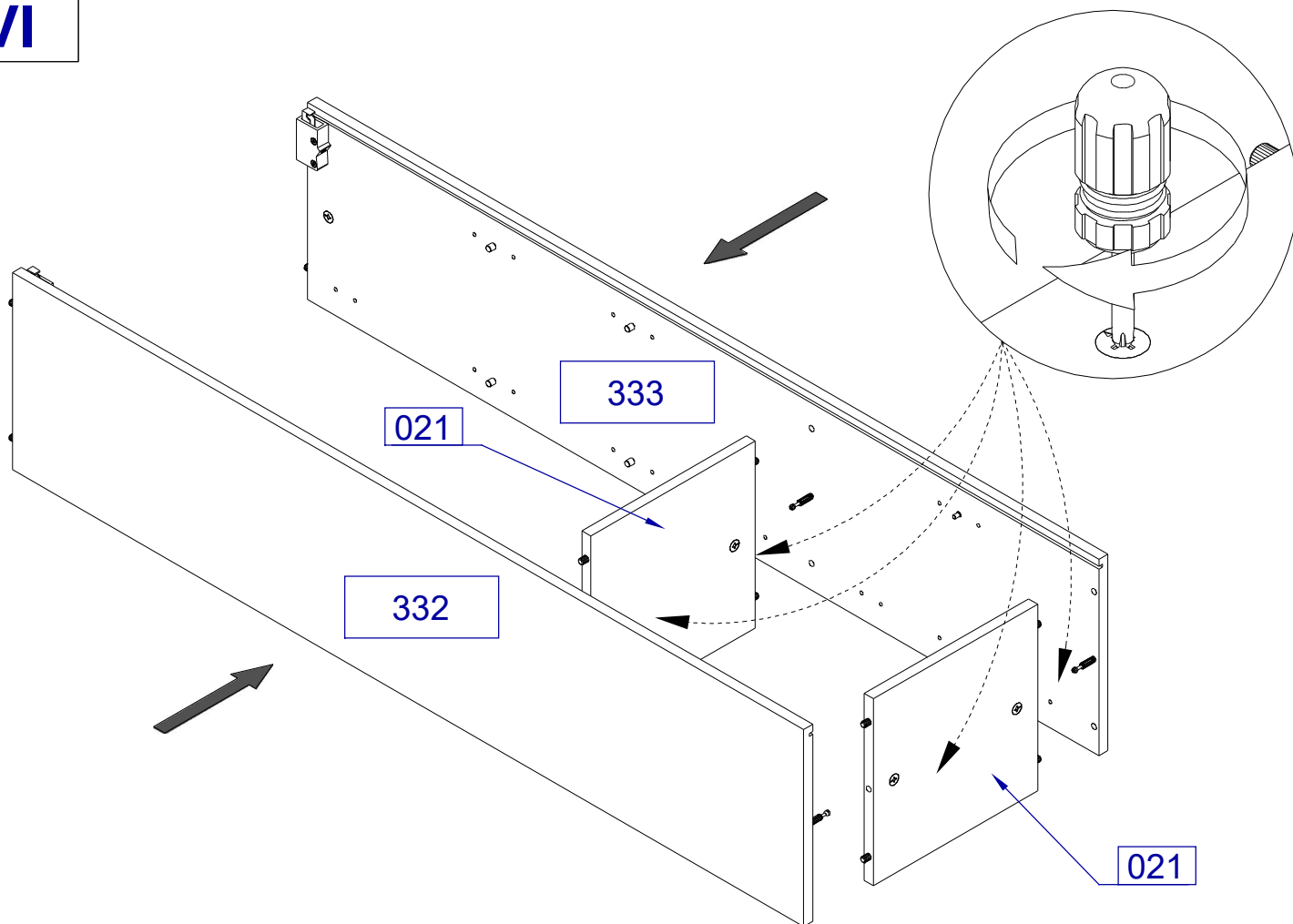
Z

x2

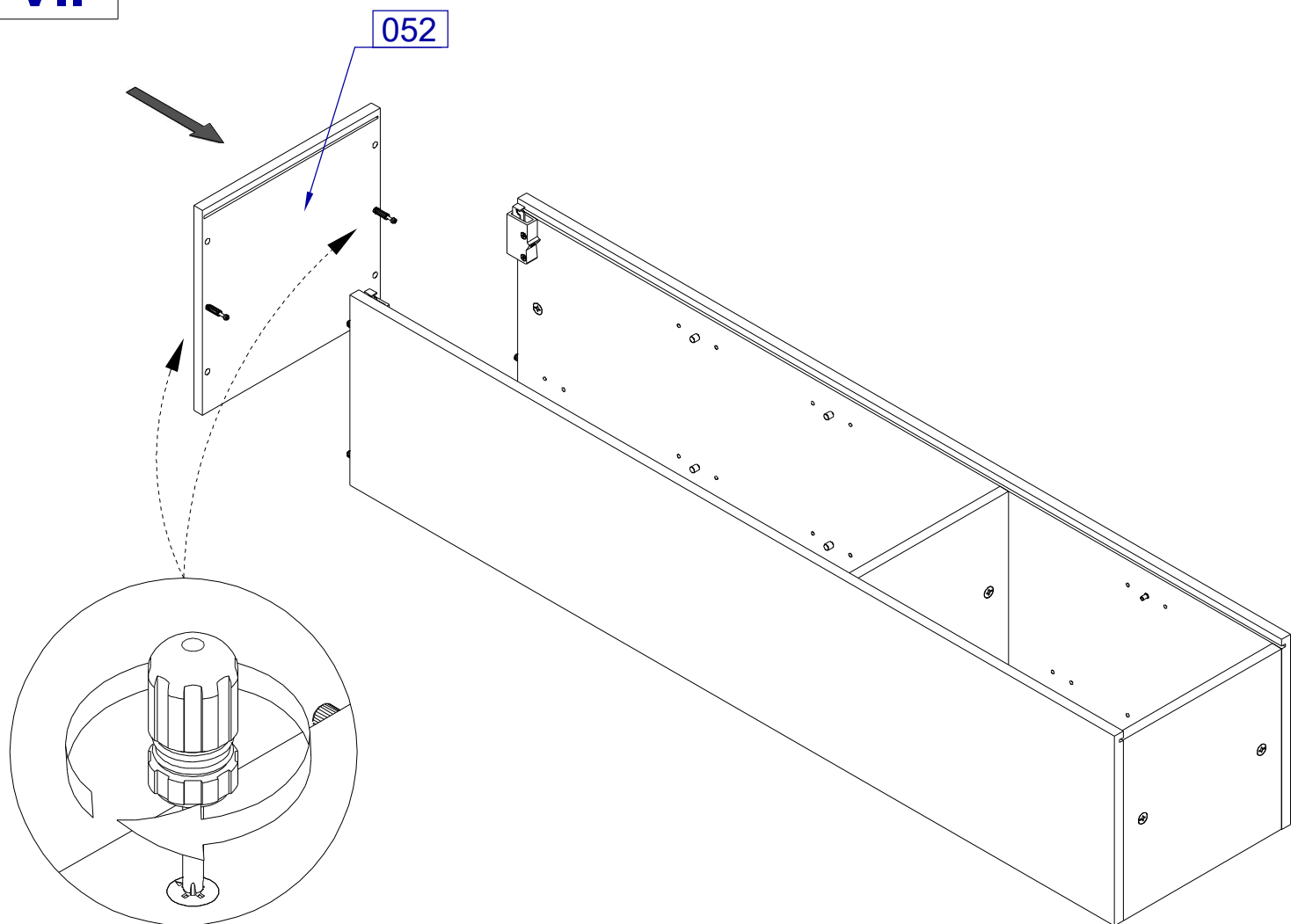


111

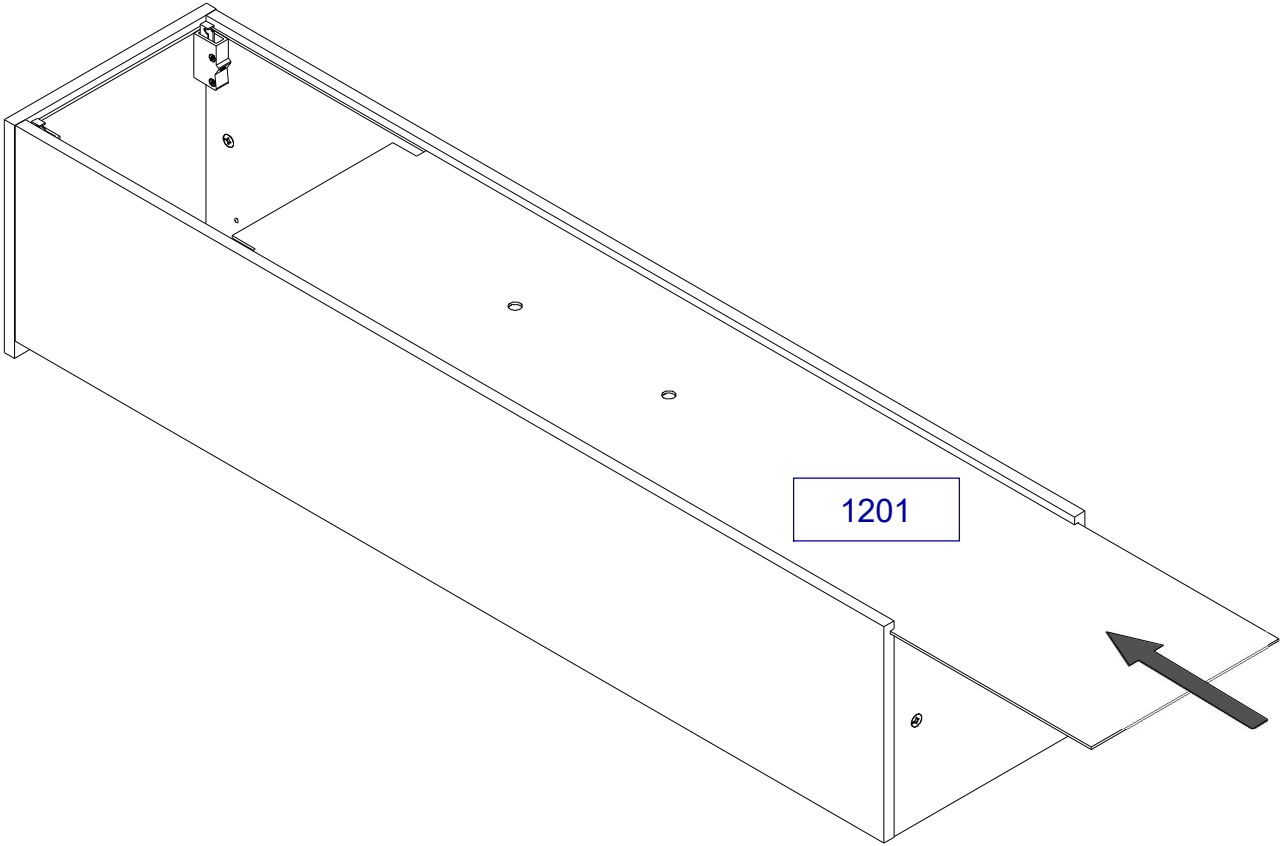
VI



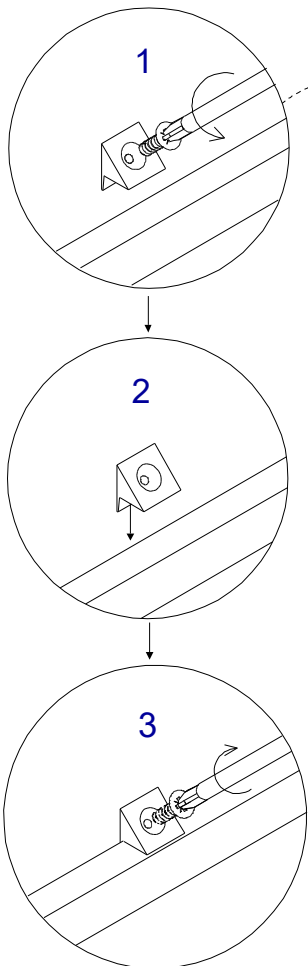
VII



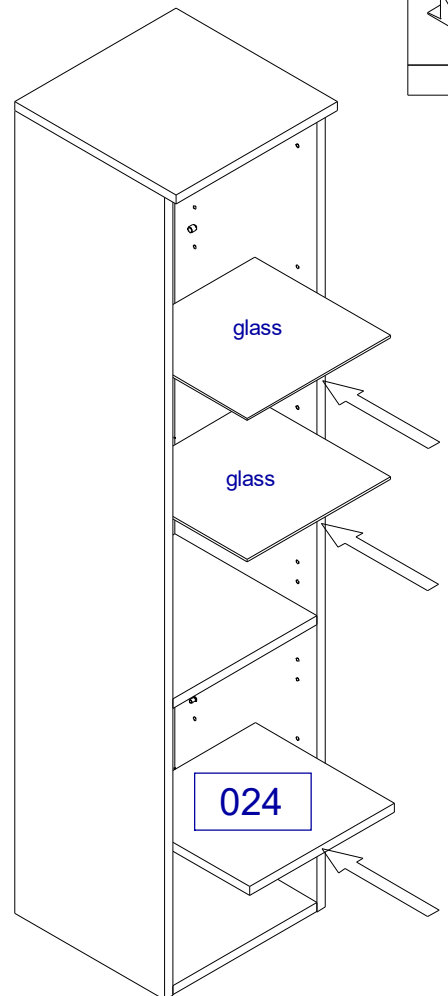
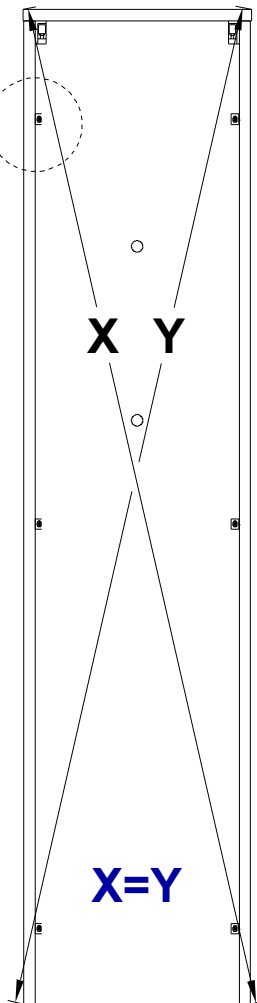
VIII



IX



6x



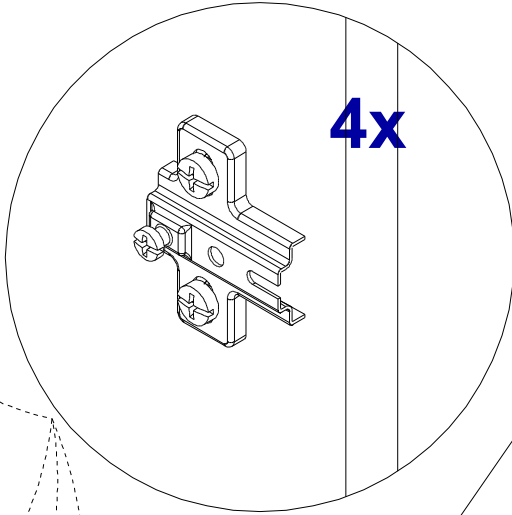
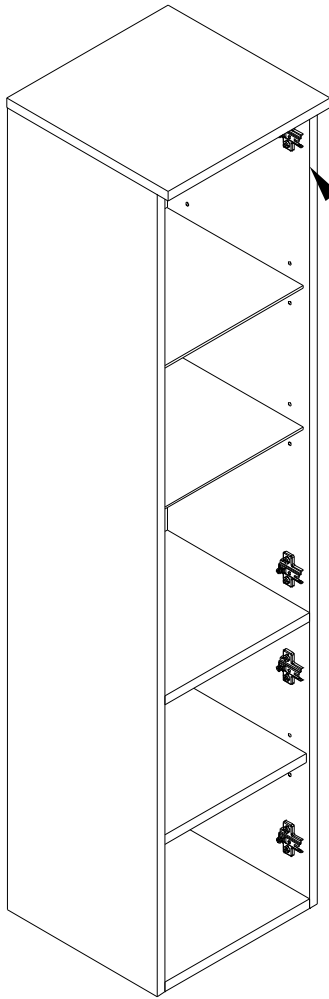
X



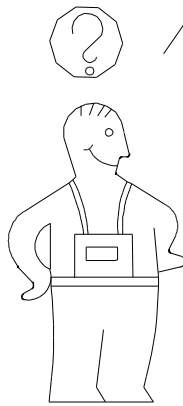
L

x4

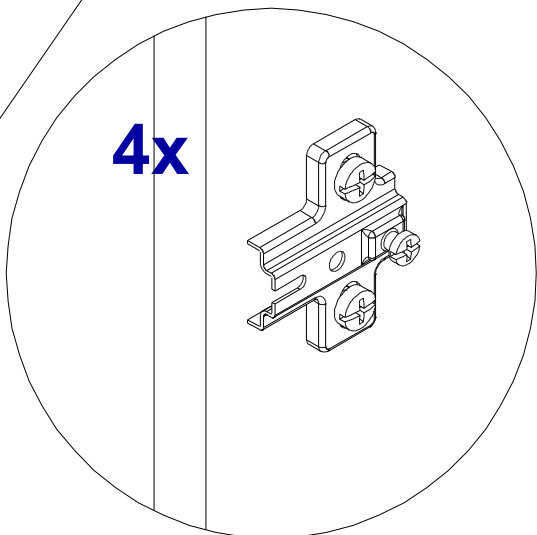
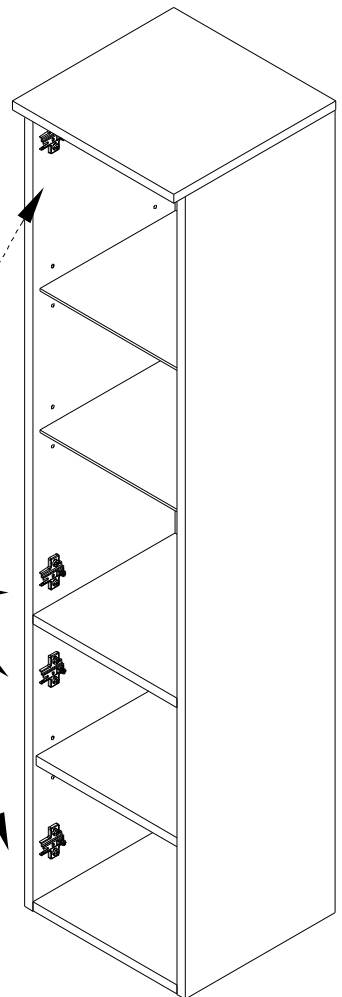
R



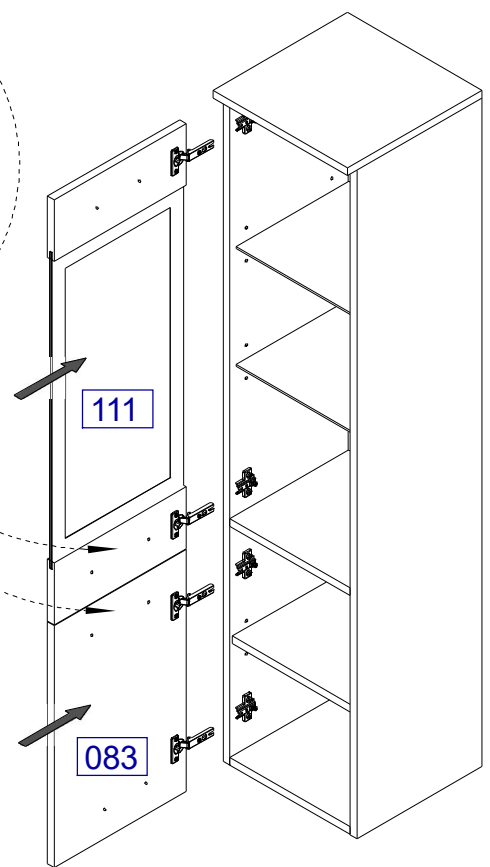
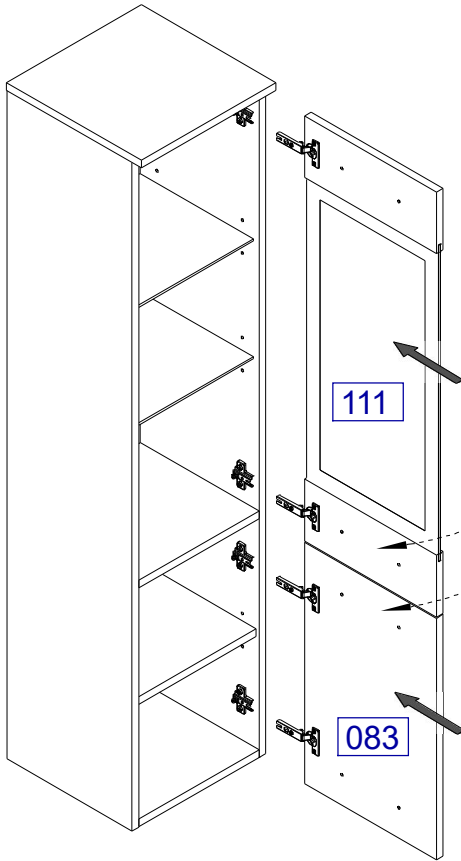
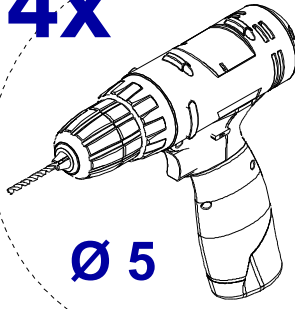
4x



L



4x

XI**R****L****4x****XII**

4x27



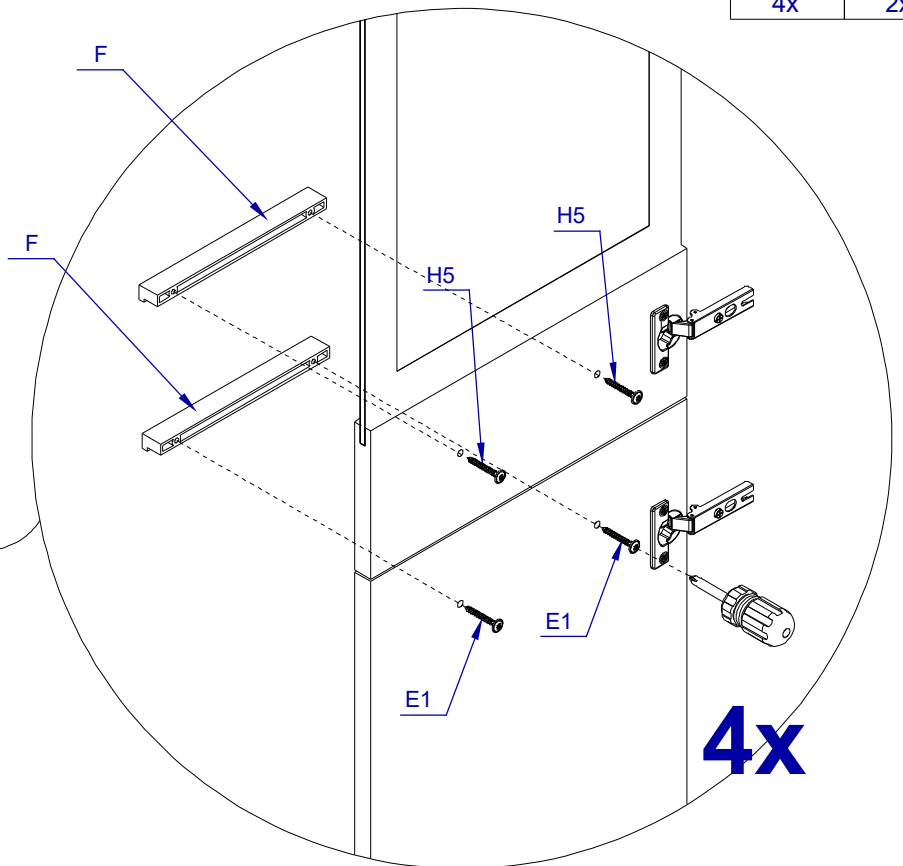
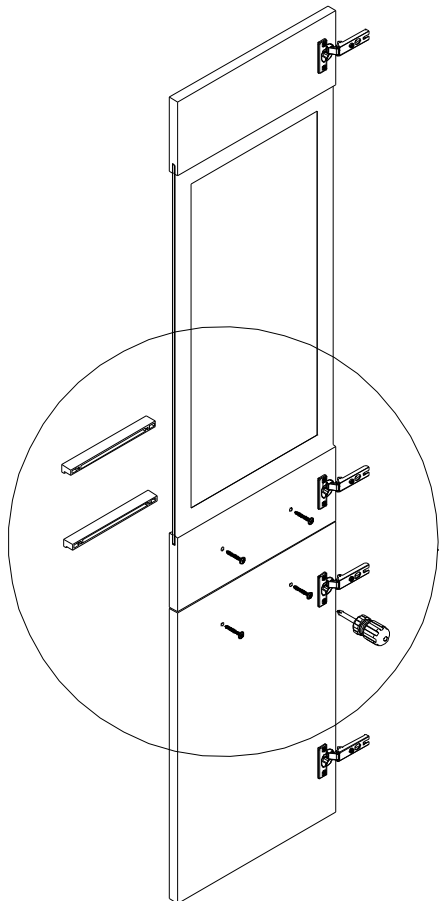
H5

4x



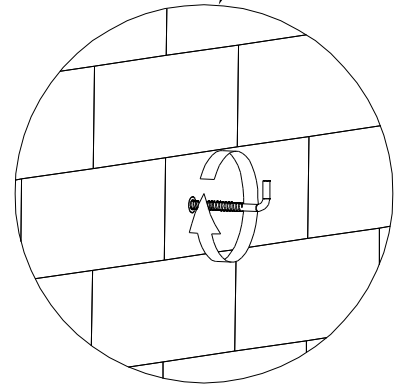
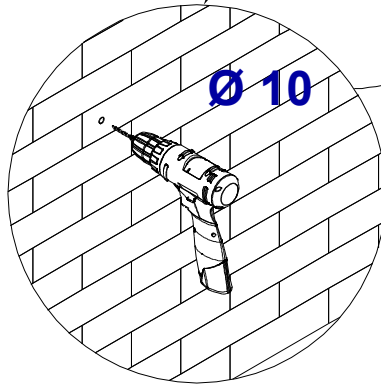
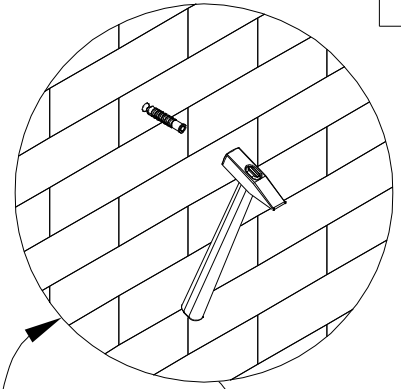
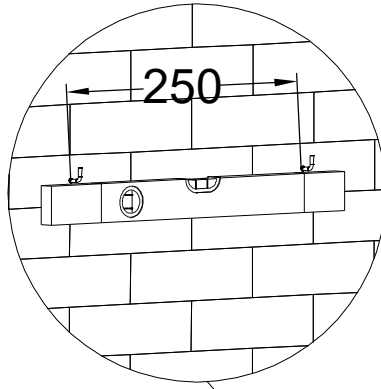
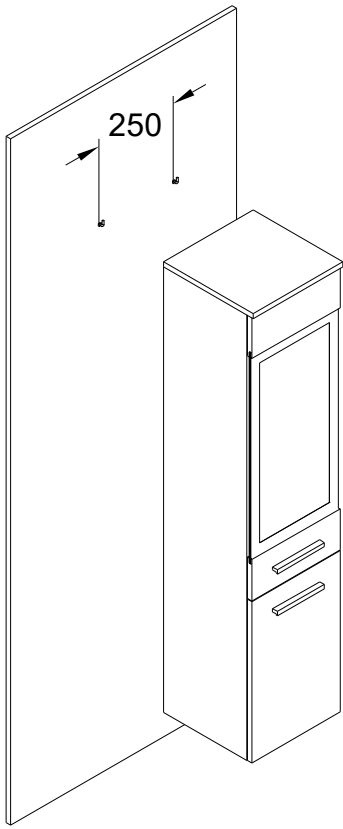
F

2x



XIII

10 mm
KR
x2



XIV

